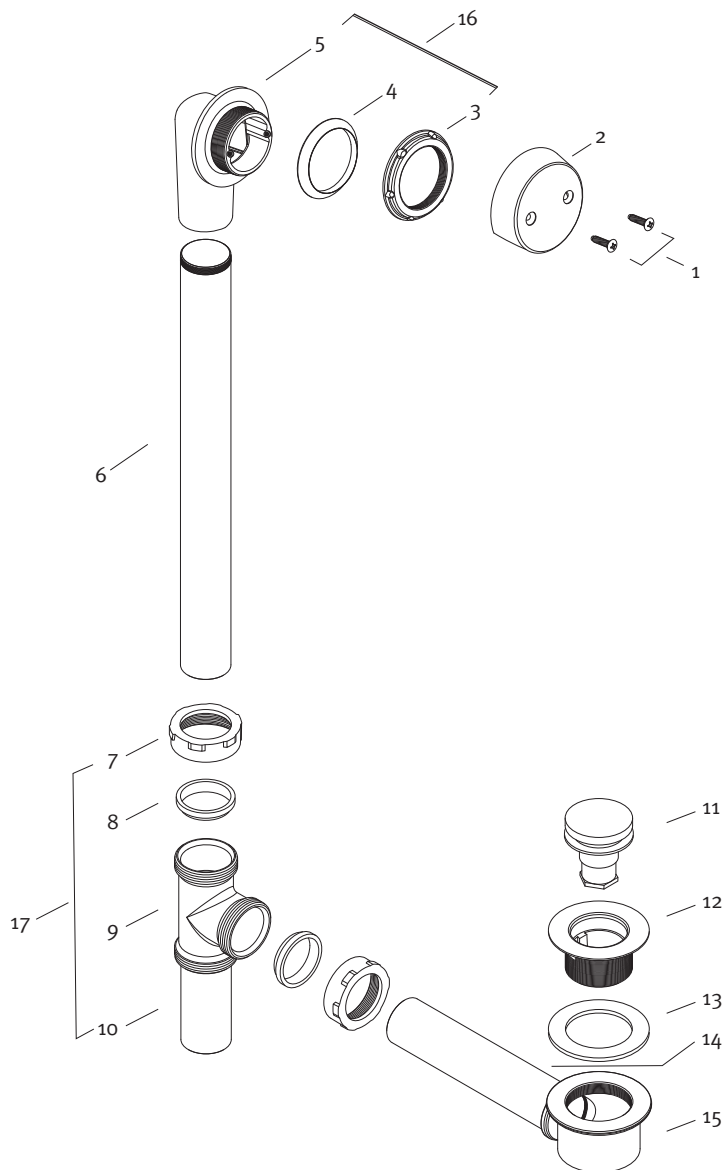


Desagüe con Sistema de Push

Push Bathtub Drain

Mod. H-7190

| No. | Clasif. | Descripción | No. | Clasif. | Description |
|---------------|---------|-----------------------------------|----------------|---------|---------------------------------|
| 1 | Rh-275 | Tornillo N. 10-24nc X 3/4" | 1 | Rh-275 | N. 10-24nc X 3/4" Screw |
| 2 | Rh-371 | Chapeton Desagüe Tina | 2 | Rh-371 | Bathtub Drain Escutcheon |
| 3 | Rh-277 | Tuerca Desagüe Automático | 3 | Rh-277 | Pop Up Drain Nut |
| 4 | Rh-276 | Rondana Cónica | 4 | Rh-276 | Conic Washer |
| 5 | Rh-291 | Codo Superior Desagüe de Tina | 5 | Rh-291 | Bathtub Drain Upper Elbow |
| 6 | Rh-292 | Tubo Codo Superior de Tina 1-1 | 6 | Rh-292 | 1-1 Bathtub Upper Elbow Pipe |
| 7 | Rf-062 | Tuerca Spud 38 | 7 | Rf-062 | 38 Spud Nut |
| 8 | Rh-295 | Empaque Cónico Desagüe de Tina | 8 | Rh-295 | Bathtub Drain Conic Gasket |
| 9 | Rh-293 | Tubo Desagüe Automatico Tina | 9 | Rh-293 | Pop Up Bathtub Drain Pipe |
| 10 | Rh-296 | Tubo Unión T Desgüe | 10 | Rh-296 | Drain "T" Union Pipe |
| 11 | Sh-688 | Tapon de Diafragma P/contrá Tina | 11 | Sh-688 | Diaphragm Cap for Bathtub Drain |
| 12 | Rh-299 | Contra Desagüe Tapón y Cadena | 12 | Rh-299 | Stopper and Chain Drain |
| 13 | Rh-287 | Rondana Hule Codo Inf. Desagüe | 13 | Rh-287 | Lower Elbow Drain Rubber Washer |
| 14 | Rh-290 | Tubo Codo Inferior 1-1/2 X 6-7/8" | 14 | Rh-290 | 1-1/2 X 6-7/8" Lower Elbow Pipe |
| 15 | Rh-289 | Codo Inferior Desagüe de Tina | 15 | Rh-289 | Bathtub Drain Lower Elbow |
| Sub-ensambles | | | Sub-assemblies | | |
| 16 | Sh-033 | Codo Superior para Tina | 16 | Sh-033 | Bathtub Upper Elbow |
| 17 | Sh-021 | T de Tina Armada | 17 | Sh-021 | Assembled Tub "T" |



Características:
Desagüe Push

Datos Técnicos:
Material:
Latón

Conexión:
Tubo 1-1/2"

Features:
Push Drain

Technical Information:
Material:
Brass

FITTING:
1-1/2" Tube